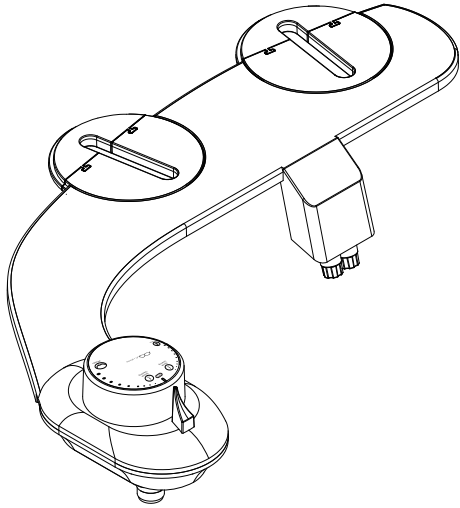




Instruction Manual

NON-ELECTRIC TOILET BIDET ATTACHMENT



1. Use

A toilet bidet attachment that requires no electricity, is easy to install, is ultra-thin and has adjustable water pressure.

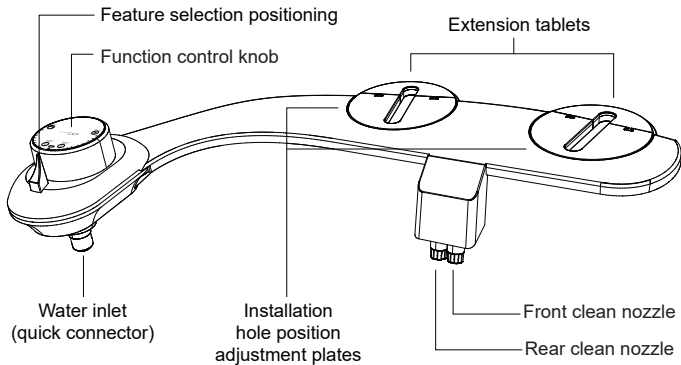
2. Product features

- 2.1. Power-free design - no hassle of connecting to electricity
- 2.2. Easy to install - no professional service required
- 2.3. Single knob operation - ergonomically designed, intuitive and easy to operate.
- 2.4. Inlet water pressure adjustment - The three-way water valve accessory is equipped with a water volume adjustment switch, which can adjust the total inlet water pressure.
- 2.5. Dual nozzle design - a single knob can select nozzle, front (women's washing) or rear end (buttocks) cleaning
- 2.6. Washing water pressure adjustment: A single knob can adjust the washing water pressure steplessly.

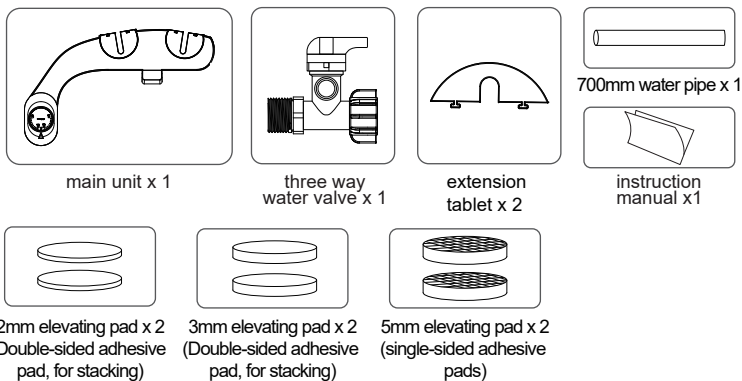
3. Technical parameters

Model NO.	HE-414
Nozzles	Double nozzles, three cleaning methods (nozzle self-wash, women's wash, buttock wash)
Material	ABS
Net Weight	0.38KG
Dimension	432 x 265 x 109 mm

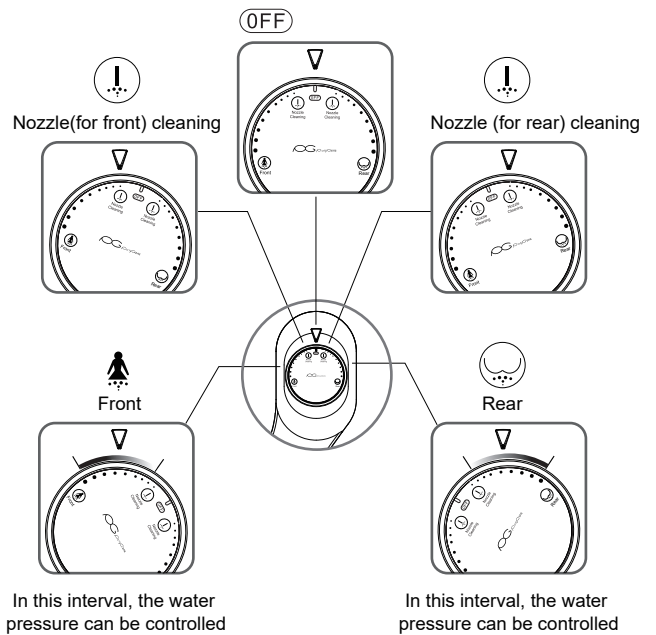
4. Parts & accessories description



5. Accessories description

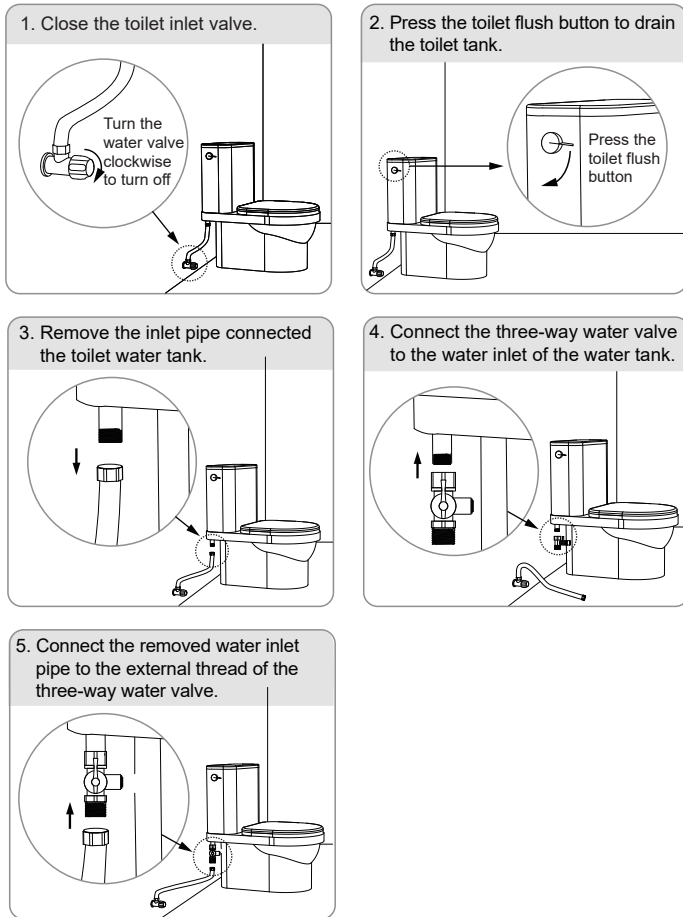


6. Introduction to knob operation

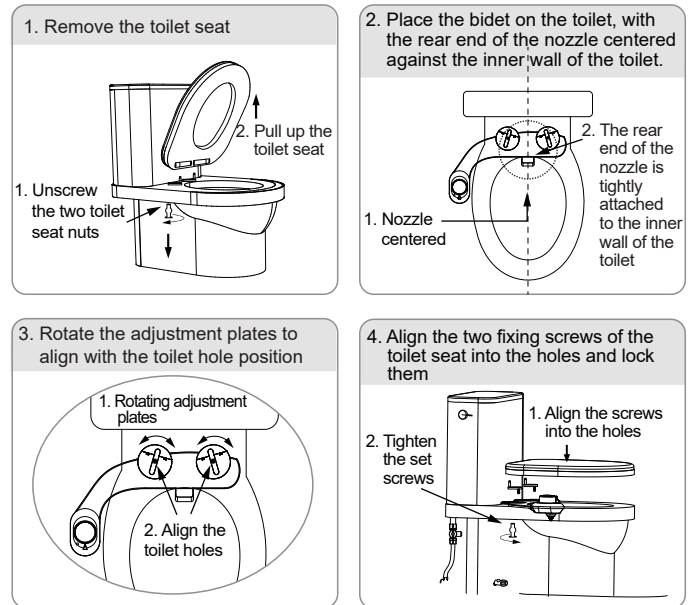


7. Product installation steps

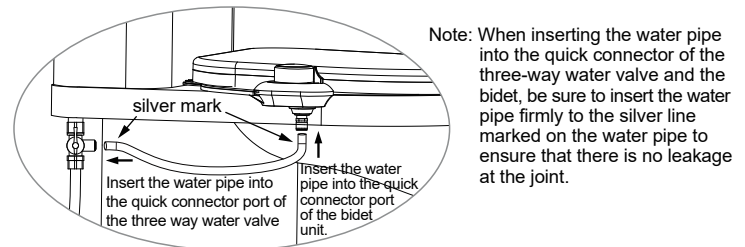
7.1. Install three-way water valve



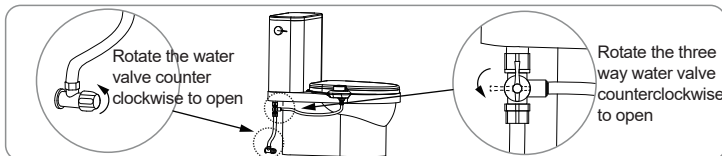
7.2. Install bidet



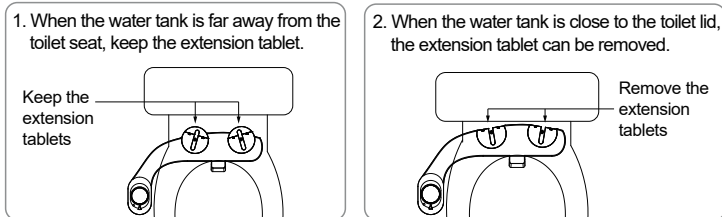
7.3. Connect the bidet to the direct quick connector with the water pipe accessory included.



7.4. Open the water valve

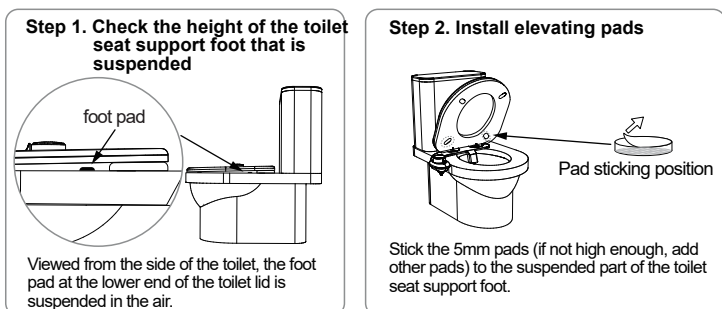


8. How to use extension tablets



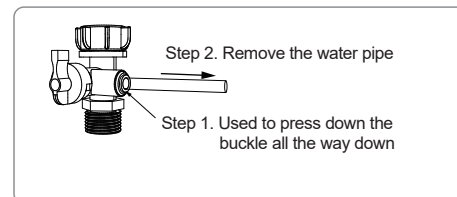
9. How to use the elevating pads

After installing the bidet, the rear end of the toilet seat will rise, causing the rear foot pad to hang in the air.



10. How to pull out the water pipe from the quick connector

In special circumstances, it is necessary to pull out the water pipe (such as trimming the length of the water pipe, installation errors, etc.)



11. Troubleshooting

- 11.1. When the function control knob is turned on and there is no water spray: Check if the water supply valve is open.
- 11.2. When the function control knob is turned on and the water flow does not spray directly forward: The main body of the bidet can be adjusted front to back, left and right, so that the bidet is installed straight and the nozzle is centered and facing the front.
- 11.3. When the function control knob is turned on, the water flow is directed vertically downwards without spraying upwards:
 - a. Check whether the nozzle is blocked by the inner wall of the toilet when it extends downward;
 - b. Check whether the nozzle interferes with the inner wall of the toilet because the bidet is not installed in the center.
- 11.4. When there is water leakage at the connection:
 - a. Check whether the leaking joint is equipped with a water-stop rubber ring and confirm whether it is tightened.
 - b. Check whether the thread of the accessory connected to our three-way valve is damaged. If it is damaged, please replace it yourself;
- 11.5. If you are still troubled by the above issues in the end, please contact our customer service.